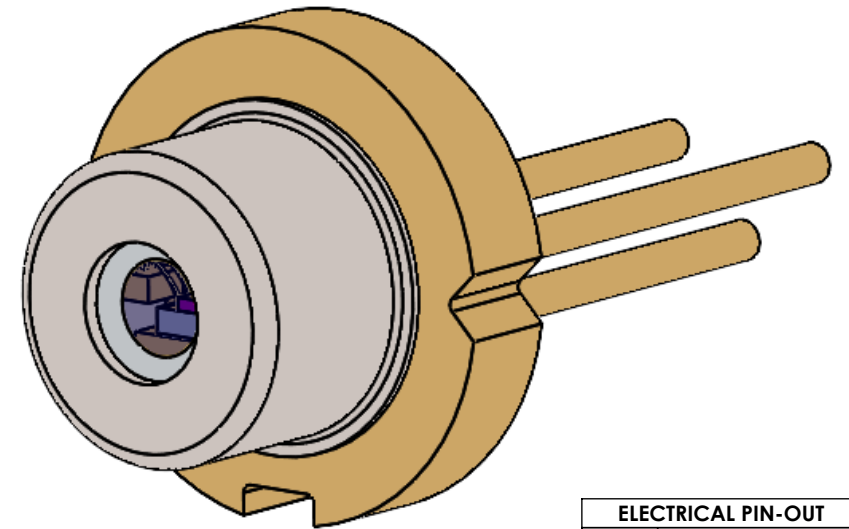
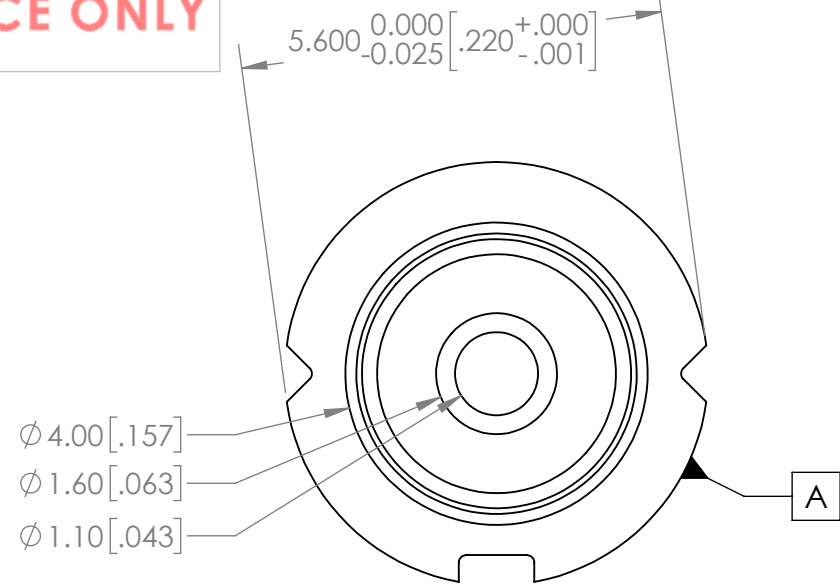


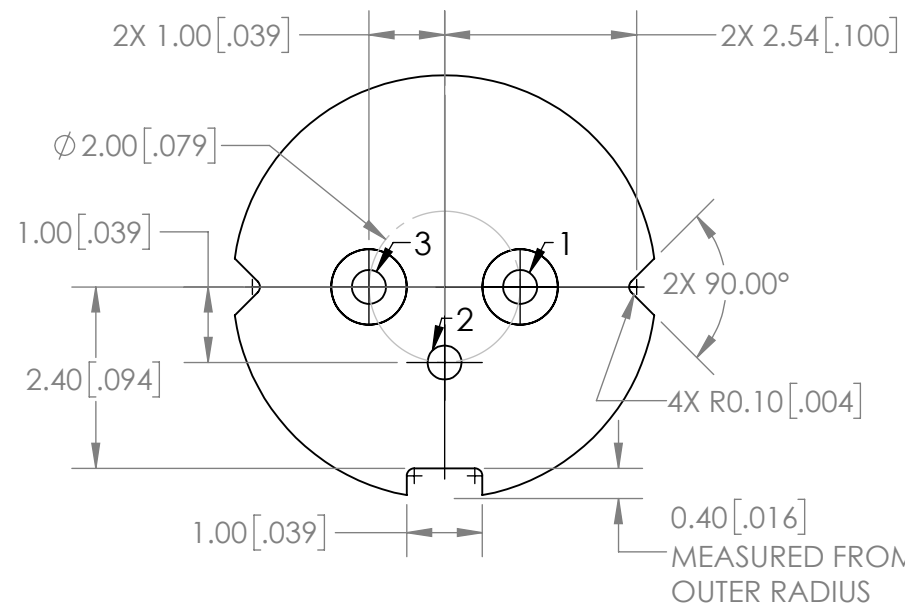
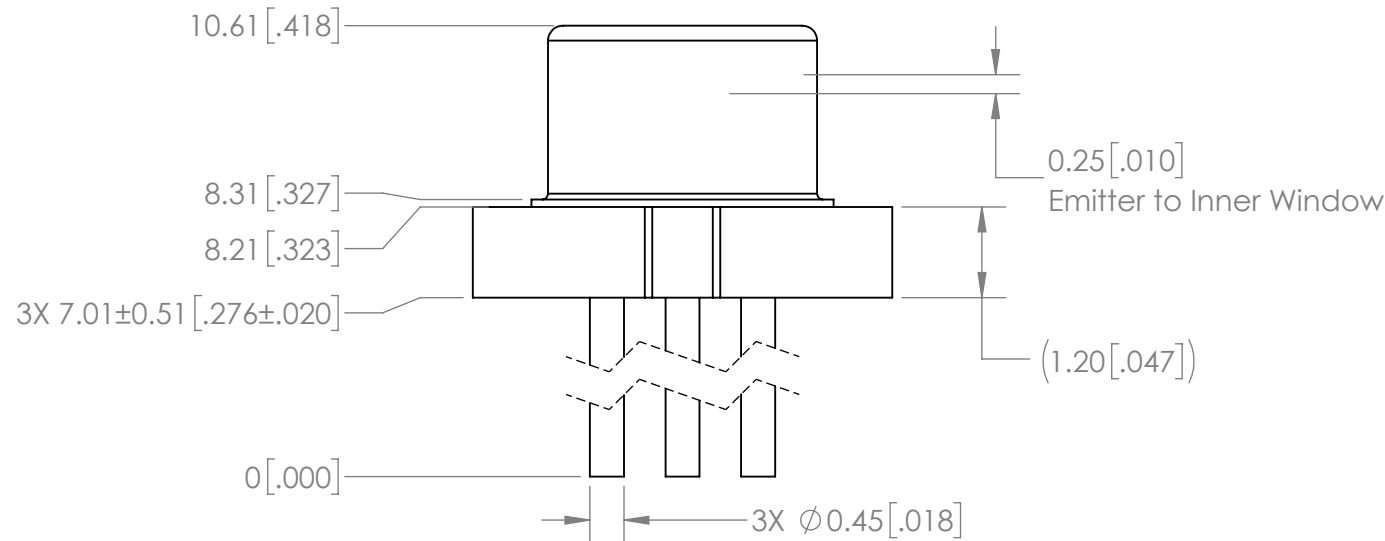
**FOR REFERENCE ONLY**

**REVISIONS**

REV	DESCRIPTION	CO	DATE	APPROVED
A	INITIAL RELEASE	12383	2023/05/20	JDB



ELECTRICAL PIN-OUT	
PIN	-RxP
1	Laser Cathode (-)
2	Laser Anode (+) PD Cathode (-) Case
3	PD Anode (+)



**Notes:**

- Mechanical reference only.
- Window is AR coated.
- Mounting and/or thermal sinking solution must be sufficient to maintain device within operational specifications. Use of a thermal pad between package base and heat sink is advised.
- Device is ESD sensitive. Handling precautions are required to ensure device meets specifications. Please visit our website for safe handling information.
- Expected emission point is centered in window for SM Laser Products and shifted 0.15mm Towards 1.00mm notch for MM Laser Products.

EXPORT CONTROLLED INFORMATION		DIMENSIONS mm [in]		NAME	DATE
WARNING - THIS DOCUMENT CONTAINS TECHNICAL DATA WHOSE EXPORT IS RESTRICTED BY THE ARMS EXPORT CONTROL ACT (TITLE 22, U.S.C., SEC 2751, ET SEQ.) OR THE EXPORT ADMINISTRATION ACT OF 1979, AS AMENDED (TITLE 50, U.S.C., APP. 2401 ET SEQ.). VIOLATIONS OF THESE EXPORT LAWS ARE SUBJECT TO SEVERE CRIMINAL PENALTIES.		UNLESS OTHERWISE SPECIFIED TOLERANCES ARE:		DRAWN	JDB 2023/04/28
		ANGULAR: ± 30 MINUTES X ± .25 [.010] X.X ± .13 [.005] X.XX ± .05 [.002] X.XXX ± .025 [.001]		CHECKED	JGT 2023/04/28
PROPRIETARY AND CONFIDENTIAL THE INFORMATION CONTAINED IN THIS DRAWING IS THE SOLE PROPERTY OF SHEAUMANN LASER, INC. ANY REPRODUCTION IN PART OR AS A WHOLE WITHOUT THE WRITTEN PERMISSION OF SHEAUMANN LASER, INC. IS PROHIBITED.		INTERPRET GEOMETRIC TOLERANCING PER: ASME Y14.5M-2018		ENG APPR.	JDB 2023/06/28
		MATERIAL VARIOUS		DH APPR.	AC 2023/07/20
DRAWING CLASSIFICATION UNCLASSIFIED		FINISH (UNLESS OTHERWISE SPECIFIED) VARIOUS		Q.C.	KS 2023/08/17
DO NOT SCALE DRAWING		THIRD ANGLE PROJECTION			

**SHEAUMANN**

TITLE:  
**Assembly, 5.6mm To Can, (M5), Isolated, AuSn Bonded**

SIZE	CAGE CODE	DWG. NO.	REV
<b>B</b>	<b>5KD88</b>	<b>TOP109015</b>	<b>A</b>
SCALE: 10:1		SHEET 1 OF 1	