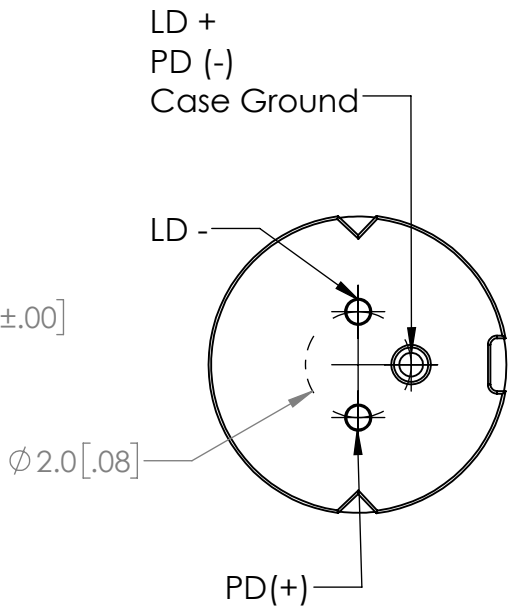
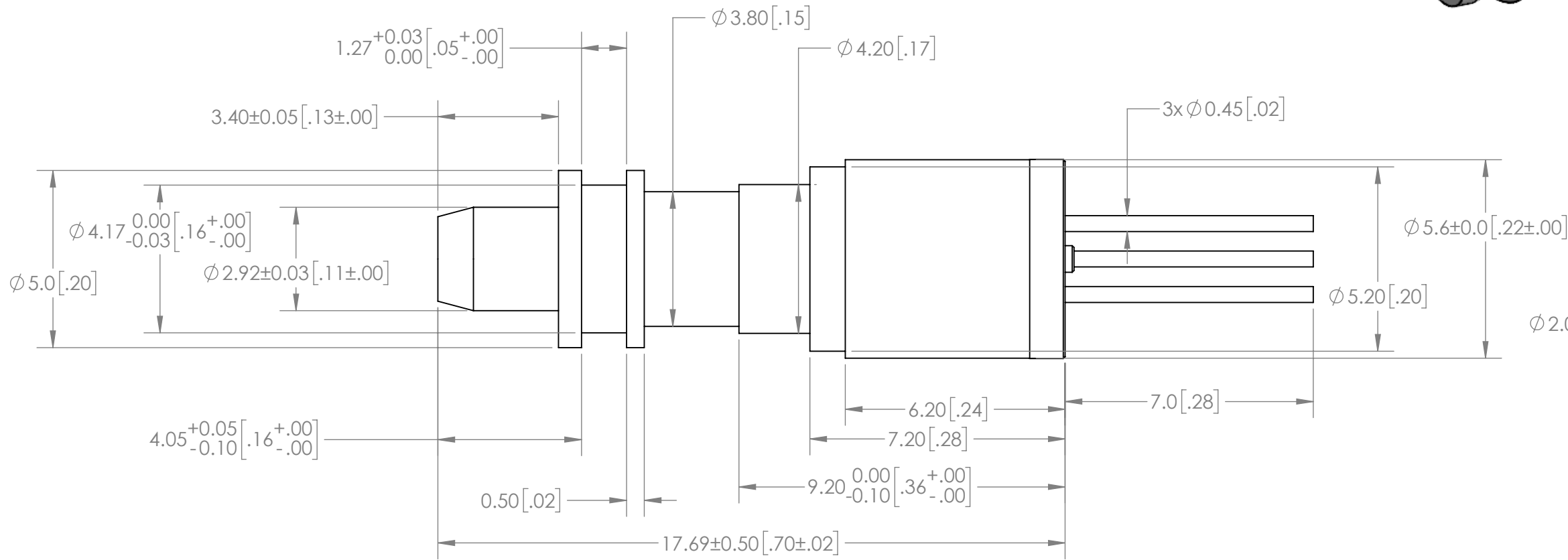
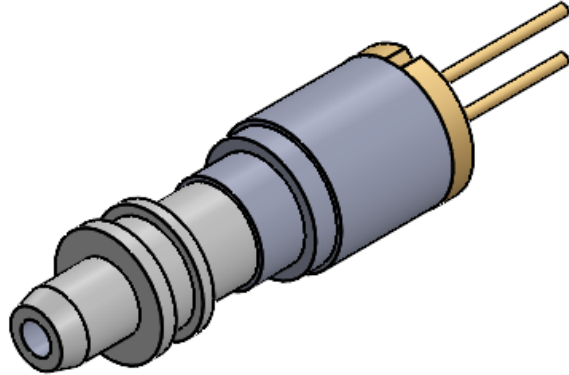


**FOR REFERENCE ONLY**

REVISIONS				
REV	DESCRIPTION	CO	DATE	APPROVED
A	INITIAL RELEASE	15333		



<b>EXPORT CONTROLLED INFORMATION</b> WARNING - THIS DOCUMENT CONTAINS TECHNICAL DATA WHOSE EXPORT IS RESTRICTED BY THE ARMS EXPORT CONTROL ACT (TITLE 22, U.S.C., SEC 2751, ET SEQ.) OR THE EXPORT ADMINISTRATION ACT OF 1979, AS AMENDED (TITLE 50, U.S.C., APP. 2401 ET SEQ.). VIOLATIONS OF THESE EXPORT LAWS ARE SUBJECT TO SEVERE CRIMINAL PENALTIES.	<b>DIMENSIONS mm [in]</b> <b>UNLESS OTHERWISE SPECIFIED TOLERANCES ARE:</b> ANGULAR: ± 30 MINUTES X ± .25 [.010] X.X ± .13 [.005] X.XX ± .05 [.002] X.XXX ± .025 [.001]	NAME DATE
	<b>PROPRIETARY AND CONFIDENTIAL</b> THE INFORMATION CONTAINED IN THIS DRAWING IS THE SOLE PROPERTY OF SHEAUMANN LASER, INC. ANY REPRODUCTION IN PART OR AS A WHOLE WITHOUT THE WRITTEN PERMISSION OF SHEAUMANN LASER, INC. IS PROHIBITED.	INTERPRET GEOMETRIC TOLERANCING PER: ASME Y14.5M-2018 MATERIAL: Various FINISH (UNLESS OTHERWISE SPECIFIED): Various <b>DRAWING CLASSIFICATION</b> UNCLASSIFIED
	DO NOT SCALE DRAWING	THIRD ANGLE PROJECTION

**SHEAUMANN**

TITLE: **Assembly, M5F TO Can**

SIZE <b>B</b>	CAGE CODE <b>5KD88</b>	DWG. NO. <b>TOP109018</b>	REV <b>A</b>
SCALE: 5:1		SHEET 1 OF 1	