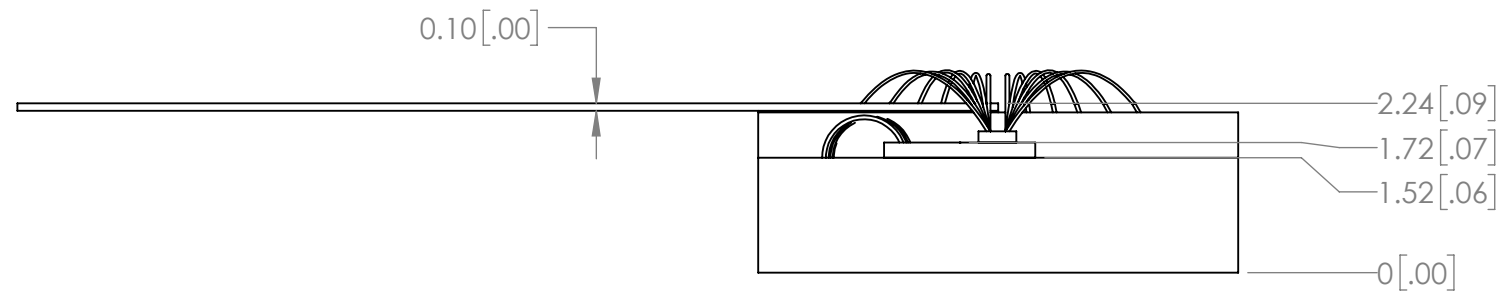
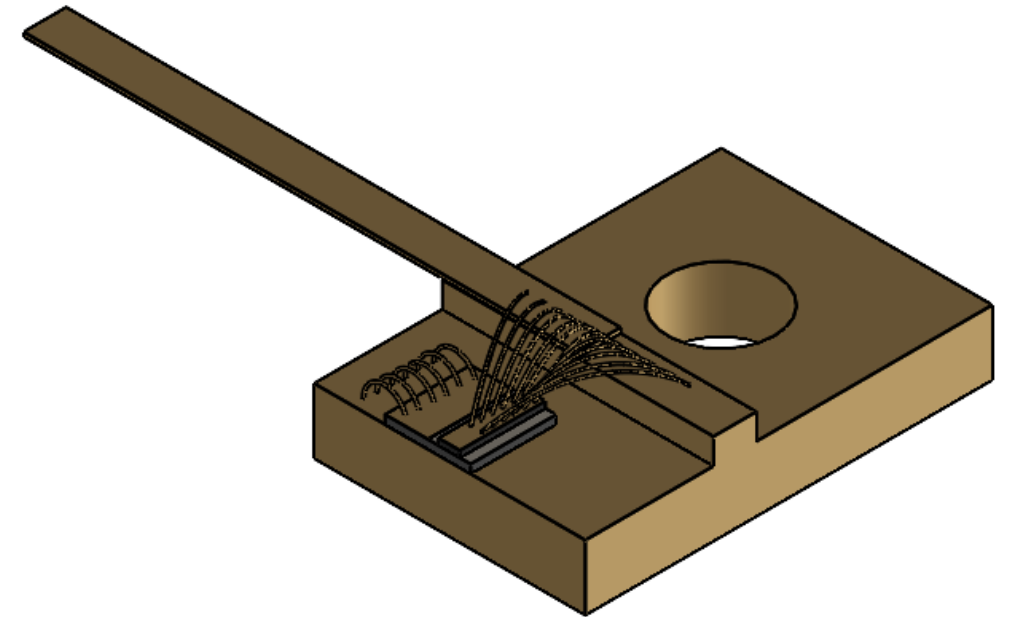
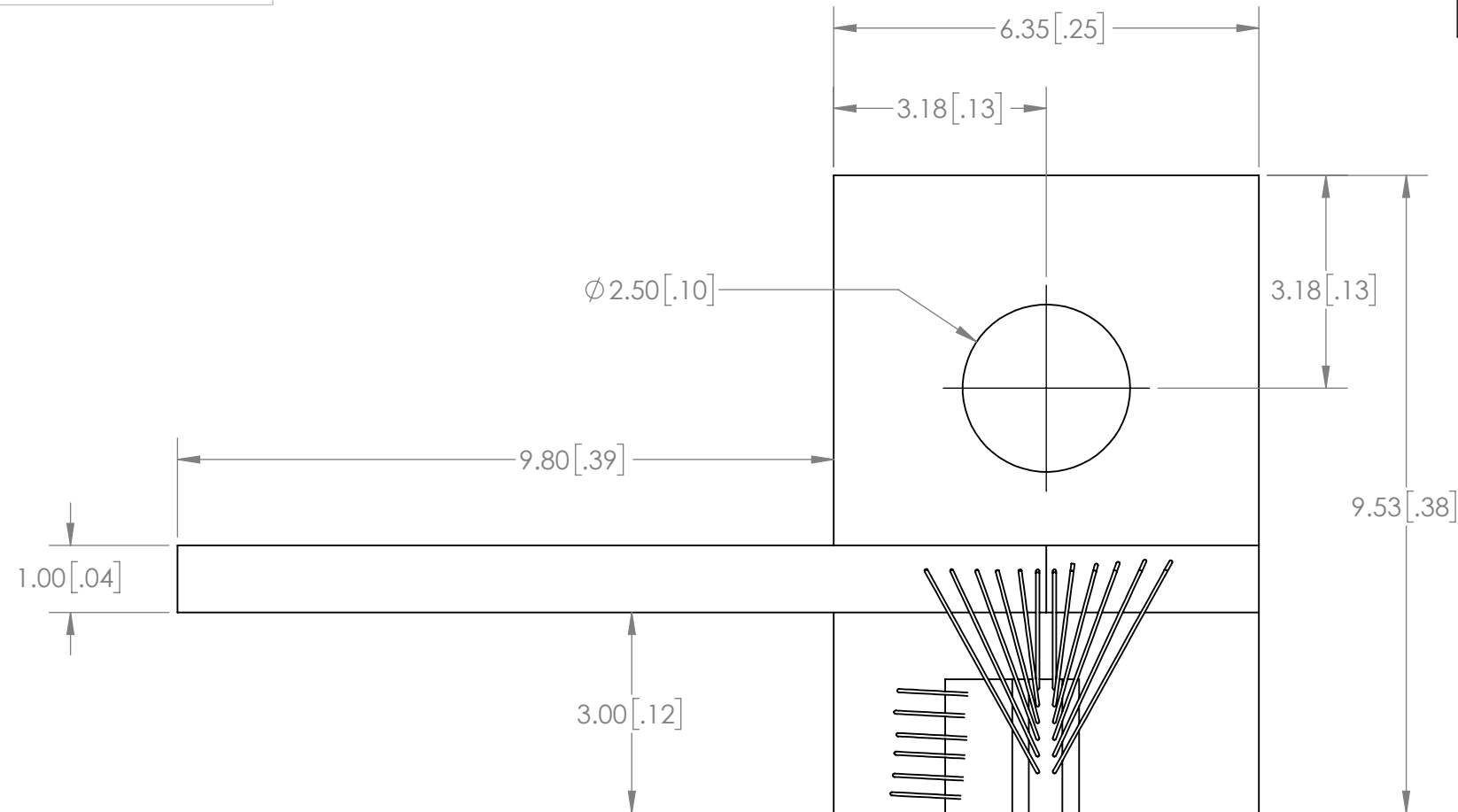


FOR REFERENCE ONLY

REVISIONS				
REV	DESCRIPTION	CO	DATE	APPROVED
A	INITIAL RELEASE	15332		



EXPORT CONTROLLED INFORMATION		DIMENSIONS mm [in]		NAME	DATE
WARNING - THIS DOCUMENT CONTAINS TECHNICAL DATA WHOSE EXPORT IS RESTRICTED BY THE ARMS EXPORT CONTROL ACT (TITLE 22, U.S.C., SEC 2751, ET SEQ.) OR THE EXPORT ADMINISTRATION ACT OF 1979, AS AMENDED (TITLE 50, U.S.C., APP. 2401 ET SEQ.). VIOLATIONS OF THESE EXPORT LAWS ARE SUBJECT TO SEVERE CRIMINAL PENALTIES.		UNLESS OTHERWISE SPECIFIED TOLERANCES ARE: ANGULAR: ± 30 MINUTES X ± .25 [.010] X.X ± .13 [.005] X.XX ± .05 [.002] X.XXX ± .025 [.001]		DRAWN	JGT 02/13/2024
		PROPRIETARY AND CONFIDENTIAL THE INFORMATION CONTAINED IN THIS DRAWING IS THE SOLE PROPERTY OF SHEAUMANN LASER, INC. ANY REPRODUCTION IN PART OR AS A WHOLE WITHOUT THE WRITTEN PERMISSION OF SHEAUMANN LASER, INC. IS PROHIBITED.		CHECKED	JGS 2/26/2024
DRAWING CLASSIFICATION UNCLASSIFIED		INTERPRET GEOMETRIC TOLERANCING PER: ASME Y14.5M-2018 MATERIAL: Various FINISH (UNLESS OTHERWISE SPECIFIED): Various		ENG APPR.	JGS 2/26/2024
				DH APPR.	~ ~
				Q.C.	
				THIRD ANGLE PROJECTION	

SHEAUMANN

TITLE: **Assembly, CT Mount**

SIZE	CAGE CODE	DWG. NO.	REV
B	5KD88	COS250050	A

SCALE: 10:1

SHEET 1 OF 1