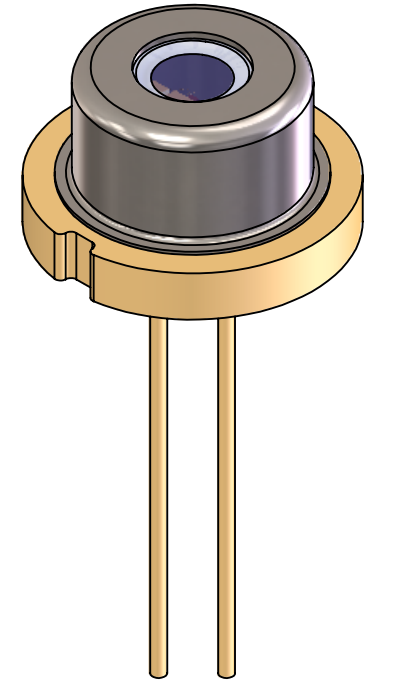
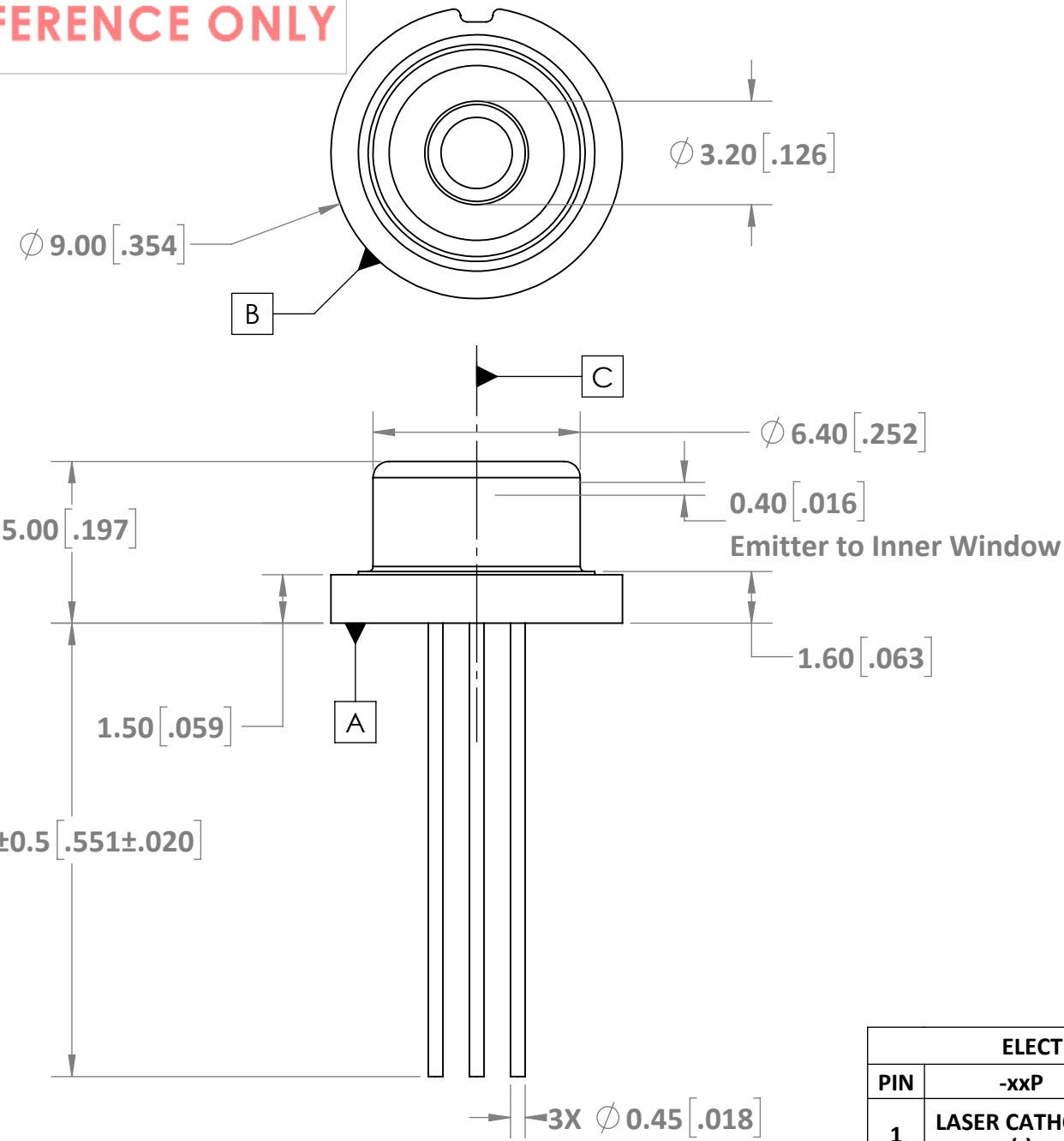


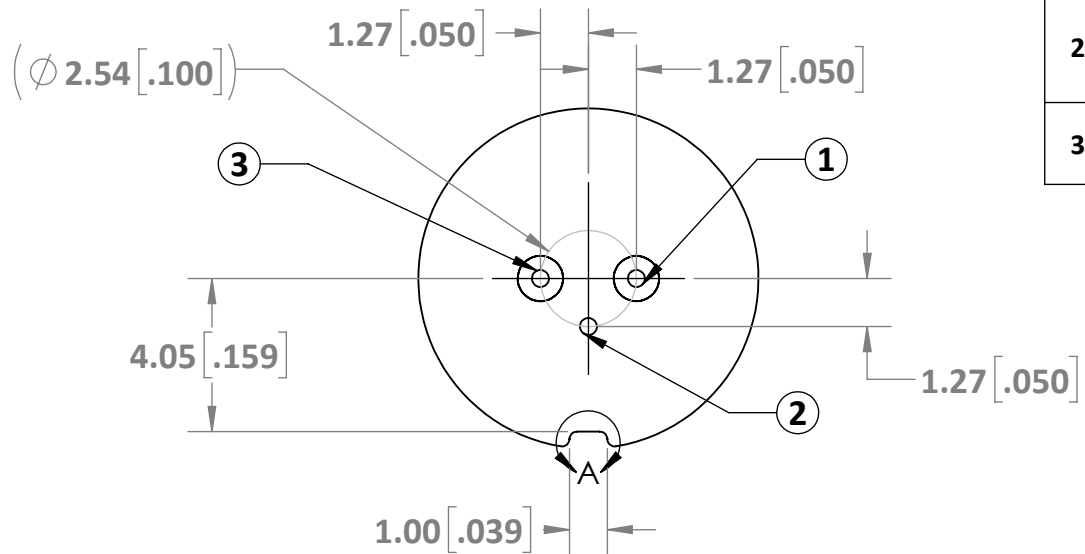
**FOR REFERENCE ONLY**

REVISIONS				
REV.	DESCRIPTION	CO	DATE	APPROVED
A	INITIAL RELEASE	12383	4/28/2023	JDB



- Notes:
- Mechanical reference only.
  - Window is AR coated.
  - Mounting and/or thermal sinking solution must be sufficient to maintain device within operational specifications. Use of a thermal pad between package and heat sink is advised.
  - Device is ESD sensitive. Handling precautions are required to ensure device meets specifications. Please visit our website for safe handling information.
  - Expected emission point is centered in window for SM Laser Products and shifted 0.15mm towards 1.00mm notch for MM Laser Products.

ELECTRICAL PIN-OUT (Multi-Mode)				ELECTRICAL PIN-OUT (Single-Mode)					
PIN	-xxP	-xxD	-xx0	PIN	-RxP	-SxP	-SxD	-Sx0	-Rx0
1	LASER CATHODE (-)	LASER CATHODE (-)	LASER CATHODE (-)	1	LASER CATHODE (-)	LASER ANODE (+)	LASER ANODE (+)	LASER ANODE (+)	LASER CATHODE (-)
2	LASER ANODE (+), PD CATHODE (-), CASE	LASER ANODE (+), PD ANODE (+), CASE	LASER ANODE (+), CASE	2	LASER ANODE (+), PD CATHODE (-), CASE	LASER CATHODE (-), PD CATHODE (-), CASE	LASER CATHODE (-), PD ANODE (+), CASE	LASER CATHODE (-), CASE	LASER ANODE (+)
3	PD ANODE (+)	PD CATHODE (-)	-	3	PD ANODE (+)	PD ANODE (+)	PD CATHODE (-)	-	-



<b>EXPORT CONTROLLED INFORMATION</b> WARNING - THIS DOCUMENT CONTAINS TECHNICAL DATA WHOSE EXPORT IS RESTRICTED BY THE ARMS EXPORT CONTROL ACT (TITLE 22, U.S.C., SEC 2751, ET SEQ.) OR THE EXPORT ADMINISTRATION ACT OF 1979, AS AMENDED (TITLE 50, U.S.C., APP. 2401 ET SEQ.). VIOLATIONS OF THESE EXPORT LAWS ARE SUBJECT TO SEVERE CRIMINAL PENALTIES.	<b>DIMENSIONS mm [in]</b> <b>UNLESS OTHERWISE SPECIFIED TOLERANCES ARE:</b> ANGULAR: ± 30 MINUTES X ± .25 [.010] X.X ± .13 [.005] X.XX ± .05 [.002] X.XXX ± .025 [.001]	NAME DATE
<b>PROPRIETARY AND CONFIDENTIAL</b> THE INFORMATION CONTAINED IN THIS DRAWING IS THE SOLE PROPERTY OF SHEAUMANN LASER, INC. ANY REPRODUCTION IN PART OR AS A WHOLE WITHOUT THE WRITTEN PERMISSION OF SHEAUMANN LASER, INC. IS PROHIBITED.	INTERPRET GEOMETRIC TOLERANCING PER: ASME Y14.5M-2018	DRAWN JDB 2023/04/28
<b>DRAWING CLASSIFICATION</b> UNCLASSIFIED	MATERIAL VARIOUS	CHECKED JGT 2023/04/28
	FINISH (UNLESS OTHERWISE SPECIFIED) VARIOUS	ENG APPR. JDB 2023/06/28
	DO NOT SCALE DRAWING	DH APPR. AC 2023/07/20
		Q.C. KS 2023/08/17

**SHEAUMANN**

TITLE:  
**Assembly, 9.0mm TO Can (M9), Isolated, Bonded on AuSn**

SIZE <b>B</b>	CAGE CODE <b>5KD88</b>	DWG. NO. <b>TOP109014</b>	REV <b>A</b>
------------------	---------------------------	------------------------------	-----------------

SCALE: 5:1 SHEET 1 OF 2

