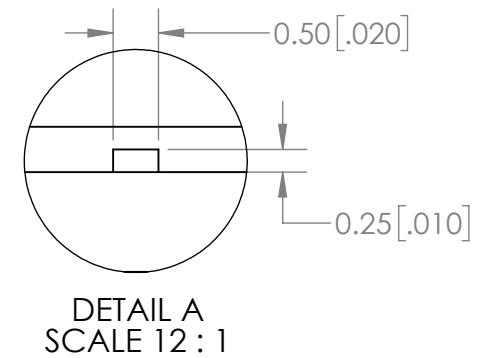
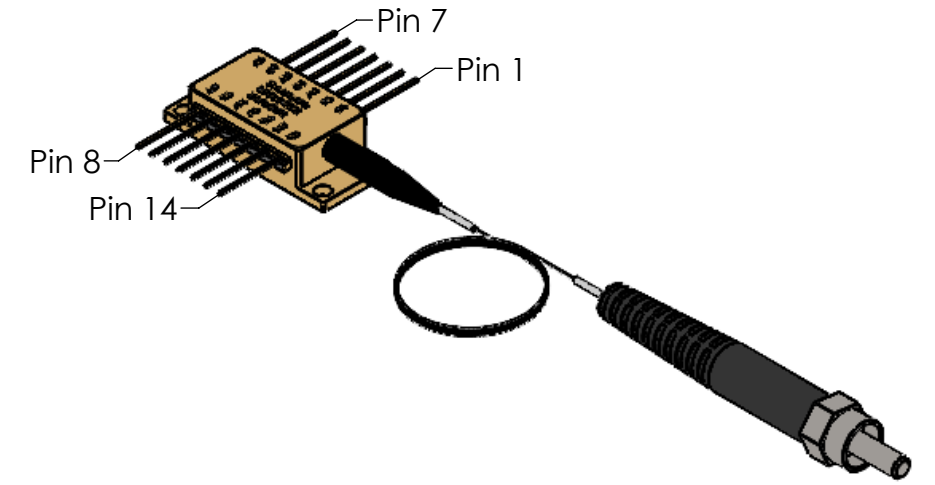
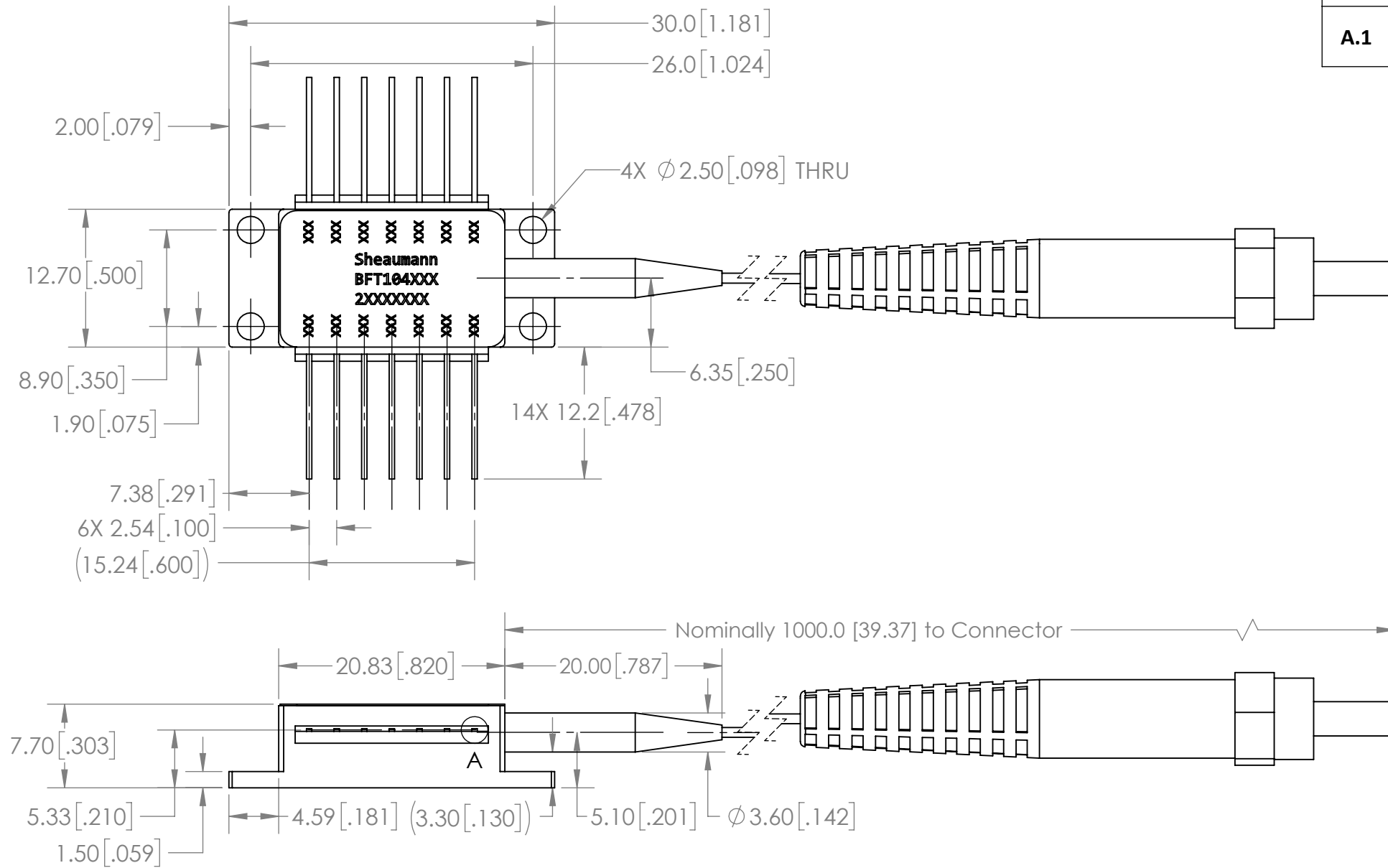


FOR REFERENCE ONLY

REVISIONS				
REV	DESCRIPTION	CO	DATE	APPROVED
A	INITIAL RELEASE	-	-	AC
A.1	UPDATE TO NEW DRAWING STANDARD	6040	2021/10/11	JDS



ELECTRICAL PIN-OUT			
PIN	CONNECTION	PIN	CONNECTION
1	TEC +	14	TEC -
2	THERMISTOR	13	CASE GROUND
3	PD ANODE (+)	12	NC
4	PD CATHODE (-)	11	LASER CATHODE (-)
5	THERMISTOR	10	LASER ANODE (+)
6	NC	9	NC
7	NC	8	NC

Notes:

- Mechanical reference only.
- Mounting and/or thermal sinking solution must be sufficient to maintain device within operational specifications. Use of a thermal pad between package and heat sink is advised.
- A properly tuned TEC controller must be used to ensure the device remains within operational limits.
- Device is ESD sensitive. Handling precautions are required to ensure device meets specifications. Please visit our website for safe handling information.
- Connector pins are plated gold over nickel. Solder at max 250°C for ≤5s with an ESD safe soldering tool.
- Fiber-coupled packages are subject to fiber bend radius and end face cleaning requirements. Please visit our website for safe handling and operation information.
- Please visit our website for fiber and connector options.

EXPORT CONTROLLED INFORMATION		DIMENSIONS mm [in]		NAME		DATE		
WARNING - THIS DOCUMENT CONTAINS TECHNICAL DATA WHOSE EXPORT IS RESTRICTED BY THE ARMS EXPORT CONTROL ACT (TITLE 22, U.S.C., SEC 2751, ET SEQ.) OR THE EXPORT ADMINISTRATION ACT OF 1979, AS AMENDED (TITLE 50, U.S.C., APP. 2401 ET SEQ.). VIOLATIONS OF THESE EXPORT LAWS ARE SUBJECT TO SEVERE CRIMINAL PENALTIES.		UNLESS OTHERWISE SPECIFIED TOLERANCES ARE:		DRAWN	JDB	2021/10/04		
		ANGULAR: ± 30 MINUTES		CHECKED	NJC	2021/10/08		
		X ± .25 [.010]		ENG APPR.	JDS	2021/10/11		
		X.X ± .13 [.005]		DH APPR.	AC	~		
		X.XX ± .05 [.002]		Q.C.	KS	2021/11/11		
		X.XXX ± .025 [.001]		THIRD ANGLE PROJECTION				
PROPRIETARY AND CONFIDENTIAL		INTERPRET GEOMETRIC TOLERANCING PER: ASME Y14.5M-2018						
THE INFORMATION CONTAINED IN THIS DRAWING IS THE SOLE PROPERTY OF SHEAUMANN LASER, INC. ANY REPRODUCTION IN PART OR AS A WHOLE WITHOUT THE WRITTEN PERMISSION OF SHEAUMANN LASER, INC. IS PROHIBITED.		MATERIAL VARIOUS						
DRAWING CLASSIFICATION		FINISH (UNLESS OTHERWISE SPECIFIED) VARIOUS						
UNCLASSIFIED		DO NOT SCALE DRAWING		SIZE B		CAGE CODE 5KD88	DWG. NO. BFT104015	REV A.1
				SCALE: 2:1		SHEET 1 OF 1		

SHEAUMANN
TITLE:
Butterfly, 14-pin, SM, Generic